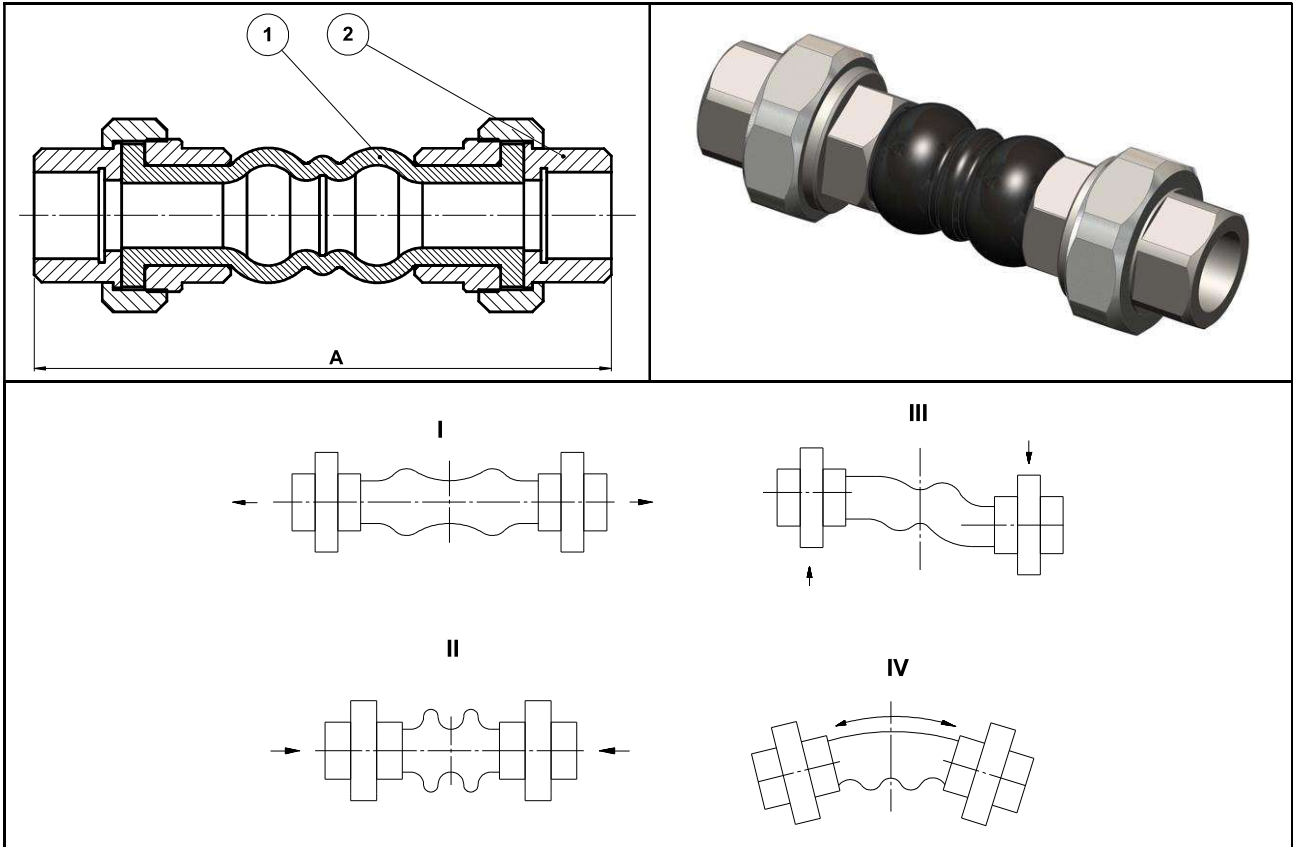


# RUBBER FLEXIBLE JOINT – THREADED

3/4"–3"



**Working temperature 0 °C/100 °C**

## Materials

1	Body	EPDM
2	Union	Galvanized Cast Iron – GGG25

**PN16**

Art. nr.	DN	A	I	II	III	IV	Weight (kg)
A030892	20 3/4"	200	5	22	22	30°	0,75
A030893	25 1"	200	5	22	22	30°	1,23
A030895	32 1 1/4"	200	5	22	22	30°	1,51
A030894	40 1 1/2"	200	5	22	22	30°	2,1
A030896	50 2"	200	5	22	22	20°	2,71
A030897	65 2 1/2"	240	8	24	24	15°	3,98
A030898	80 3"	240	8	24	24	15°	5,7

## Notes

- I – Elongation in mm
- II – Compression in mm
- III – Lateral deflection in mm
- IV – Angular deflection in deg