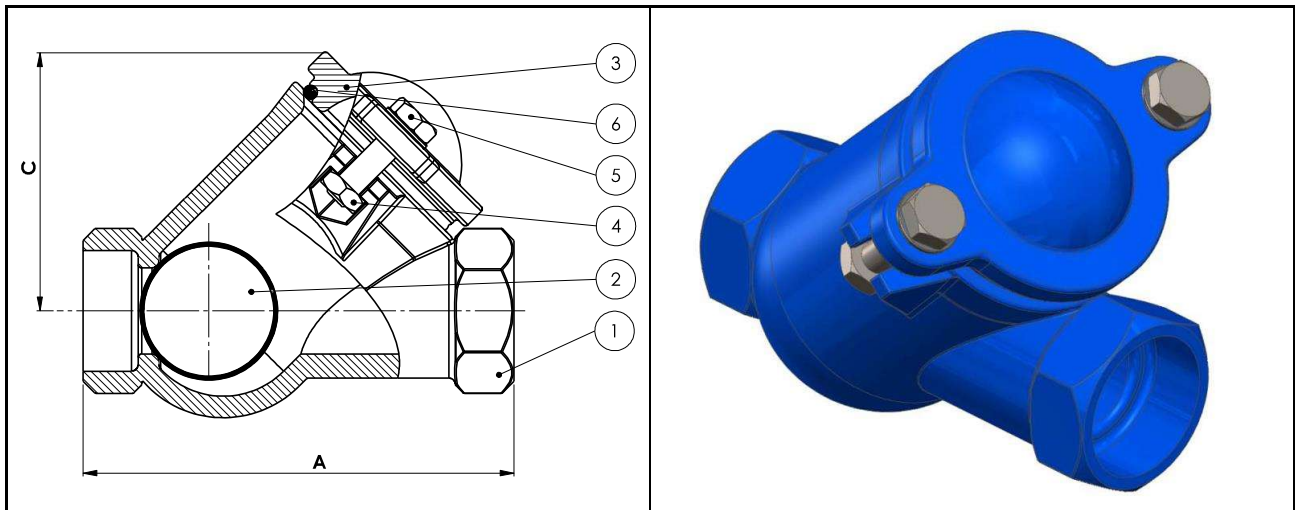


## BALL CHECK VALVE – THREADED

1"-3"



**Working temperature 0 °C/70 °C**

### Materials

1	Body	Ductile Iron – GGG40
2	Ball	Aluminium NBR wrapped
3	Cover	Ductile Iron – GGG40
4	Nut	Carbon Steel Zinc plated
5	Bolt	Carbon Steel Zinc plated
6	O-Ring	NBR

**PN16**

Art. nr.	DN	A	C	Weight (kg)
A036454	1"	125,0	79	1,35
A036455	1 1/4"	132,5	74	1,40
A036456	1 1/2"	145,5	88	2,00
A036457	2"	174,0	114	3,35
A036458	2 1/2"	199,7	134	5,50
A036459	3"	242,5	165	10,55

### Notes

Threaded according to BSP.