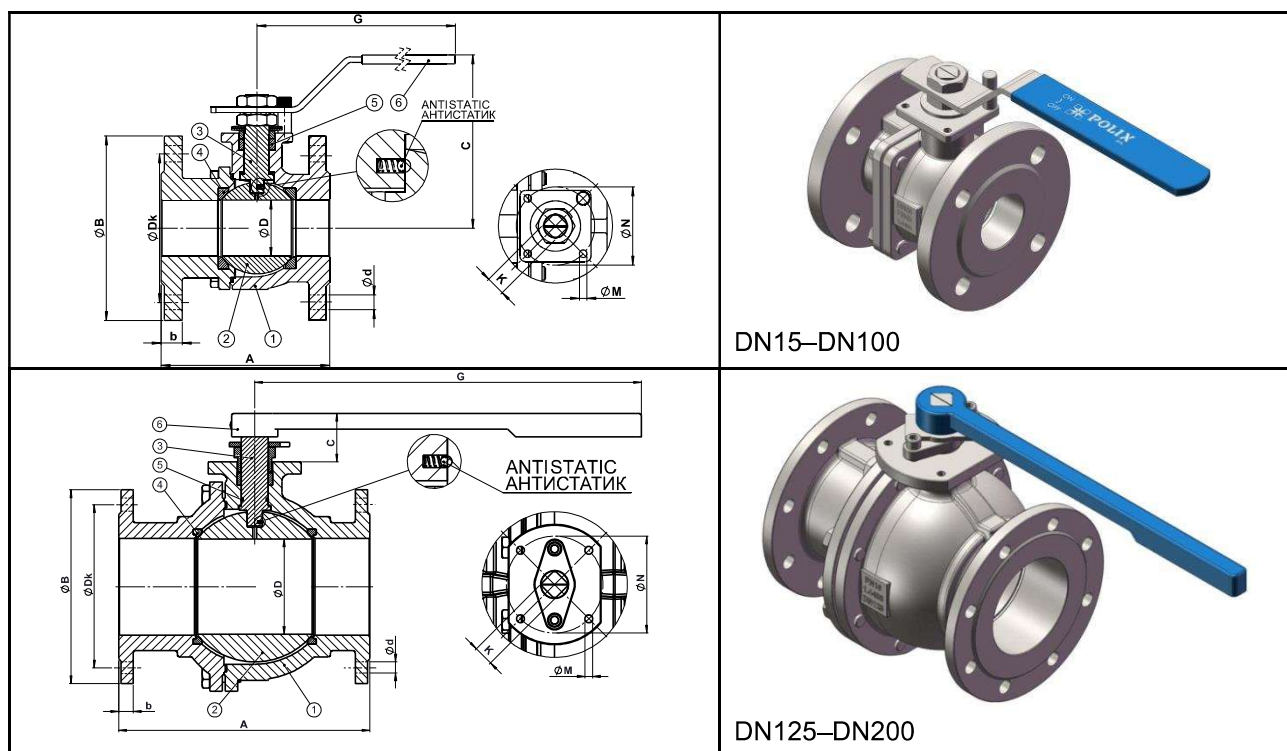


BALL VALVE KPS, FLANGED
FULL BORE, DN15-DN200



Materials

1	Body	Stainless Steel – GX5CrNiMo19-11 (A316)
2	Ball	Stainless Steel – GX5CrNiMo19-11 (A316)
3	Stem	Stainless Steel –X5CrNiMo17-12-2 (A316)
4	Seats	PTFE
5	Stem seal	PTFE
6	Handle	Stainless Steel – X5CrNi18-10 (A304)

Working temperature: -20 °C/+200 °C

KPS DN ... PN16 DP PX PX

PN16

Art. nr.	DN	ISO 5211			K	ØDk	ØB	A	C	ØD	G	b	Ød	Nr.	Weight (kg)
		F	ØN	ØM											
A003484	15	F04	42	M5	11	65	95	115	87	15	160	16	14	4	2,16
A003485	20	F04	42	M5	11	75	105	120	94	20	160	18	14	4	2,87
A003486	25	F05	50	M6	14	85	115	125	103	25	171	18	14	4	4,02
A003487	32	F05	50	M6	14	100	140	130	118	32	217	18	18	4	5,82
A003488	40	F05	50	M6	14	110	150	140	123	38	217	18	18	4	6,69
A003489	50	F07	70	M8	17	125	165	150	148	50	293	20	18	4	10,16
A003490	65	F07	70	M8	17	145	185	170	156	65	293	22	18	8	14,16
A003492	80	F10	102	M10	22	160	200	180	204	80	373	24	18	8	20,64
A003483	100	F10	102	M10	22	180	220	190	204	100	373	20	18	8	24,68
A061782	125	F12	125	M12	32	210	250	325	70	125	500	70	18	8	46,00
A061783	150	F12	125	M12	32	240	285	350	71	150	500	71	22	8	69,00
A068126	200	F12	125	M12	32	295	340	400	65	200	540	65	22	12	127,00

KPS DN ... PN40 DN15-DN80 DP PX PX

PN40

Art. nr.	DN	ISO 5211			K	ØDk	ØB	A	C	ØD	G	b	Ød	Nr.	Weight (kg)
		F	ØN	ØM											
A003484	15	F04	42	M5	11	65	95	115	87	15	160	16	14	4	2,16
A003485	20	F04	42	M5	11	75	105	120	94	20	160	18	14	4	2,87
A003486	25	F05	50	M6	14	85	115	125	103	25	171	18	14	4	4,02
A003487	32	F05	50	M6	14	100	140	130	118	32	217	18	18	4	5,82
A003488	40	F05	50	M6	14	110	150	140	123	38	217	18	18	4	6,69
A003489	50	F07	70	M8	17	125	165	150	148	50	293	20	18	4	10,16
A003490	65	F07	70	M8	17	145	185	170	156	65	293	22	18	8	14,16
A003492	80	F10	102	M10	22	160	200	180	204	80	373	24	18	8	20,64

Notes

Where adapter is needed, choose it from KPN adapters.

Article numbers for DN15–DN80 are the same for PN16 and PN40 and are always declared as PN40.

