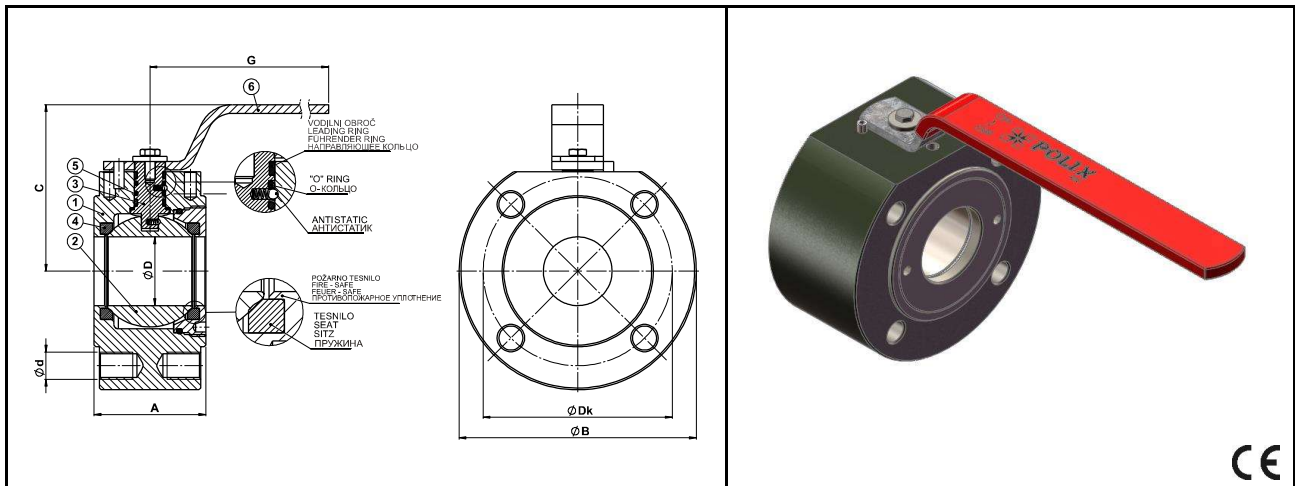


**BALL VALVE KPA
FULL BORE, DN15–DN200**



Materials

1	Body	Carbon Steel – A105
2	Ball	Stainless Steel – X5CrNi18-10 (A304)
3	Stem	Stainless Steel – X30Cr13 (A420)
4	Seats	PTFE
5	O-Ring	PTFE + EPDM
6	Handle	Carbon steel (Galvanized) – S235JR (St 37-2)

Working temperature -20 °C/+200 °C (Temperature below -20 °C contact manufacturer)

KPA DN ... PN16 DP PX PX

PN16

Art. nr.	DN	A	ØB	C	ØD	G	ØDk	Ød	Nr.	Weight (kg)
A955025	15	39	88	80	16	150	65	M12	4	2,80
A955026	20	39	98	80	20	150	75	M12	4	2,90
A955027	25	48	110	76	25	158	85	M12	4	3,00
A955028	32	55	130	108	32	180	100	M16	4	4,50
A955029	40	65	140	114	40	180	110	M16	4	6,50
A955030	50	80	150	128	50	222	125	M16	4	11,00
A955031	65	100	175	160	63,5	293	145	M16	4	15,00
A955032	80	120	190	170	78	293	160	M16	8	20,00
A955033	100	140	220	185	99	293	180	M16	8	28,50
A955010	125	175	296	194	125	541	210	M16	8	35,00
A955035	150	210	330	213	150	541	240	M20	8	97,00
A955036	200	270	435	310	200	1000	295	M20	12	179,00

KPA DN ... PN40 DP PX PX

PN40

Art. nr.	DN	A	ØB	C	ØD	G	ØDk	Ød	Nr.	Weight (kg)
A955060	65	100	175	160	63,5	293	145	M16	8	15,00
A955059	80	120	190	170	78	293	160	M16	8	20,00
A955086	100	140	220	185	99	293	190	M20	8	28,50

Notes

Article numbers for DN15–DN50 are the same for PN16 and PN40 are always declared as PN40.

Antistatic and fire safe design.

When adapter is needed, check on page 57 in the catalog.