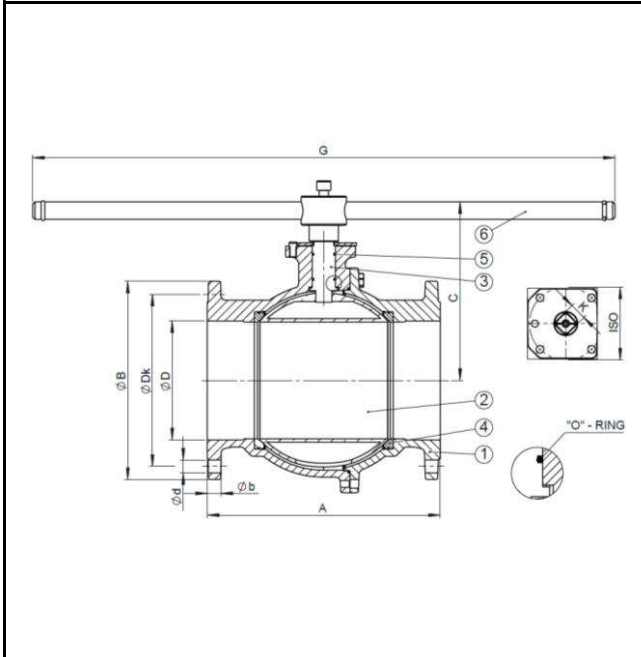
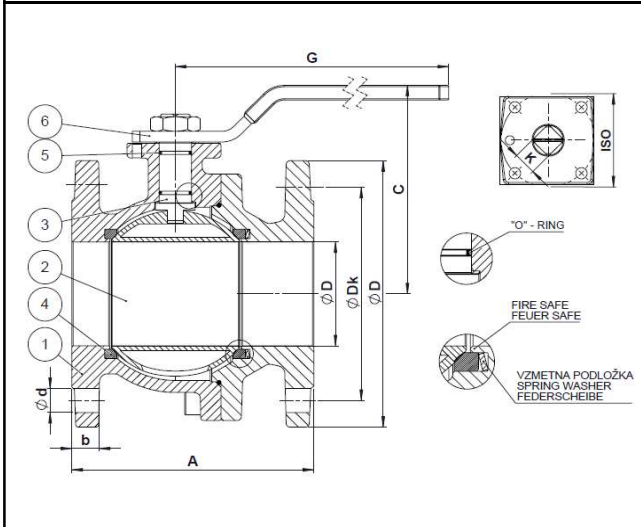
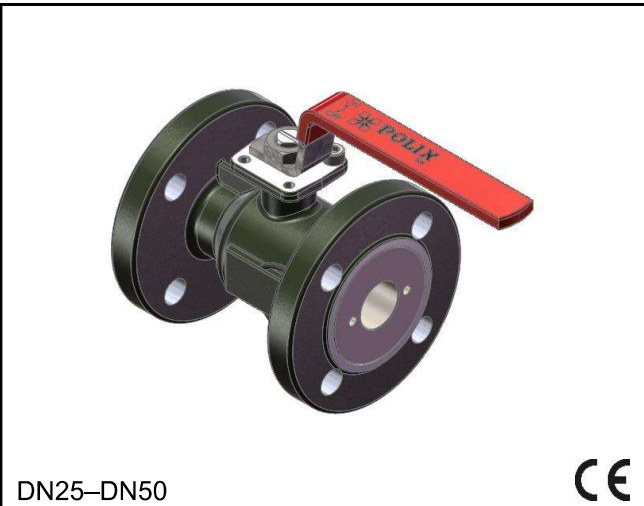
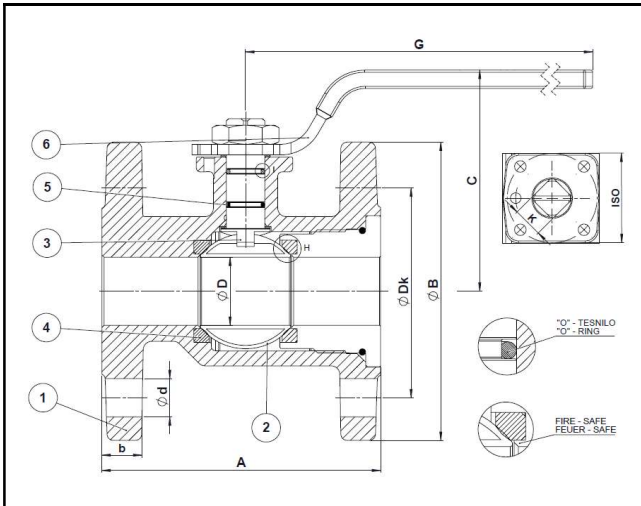


BALL VALVE KPC - ISO
FULL BORE, DN25–DN200



Materials

1	Body	Ductile Iron – EN-GJS-400-15 (GGG40)
2	Ball	Stainless Steel – X5CrNi18-10 (A304)
3	Stem	Stainless Steel – X30Cr13 (A420)
4	Seats	PTFE
5	O-Ring	NBR
6	Handle	Carbon steel (Galvanized) – S235JR (St 37-2)

Working temperature -20 °C/+100 °C

KPC DN ... PN16 DP NX PX - ISO

PN16

Art. nr.	DN	A	ØB	C	ØD	G	b	ØDk	Ød	Nr.	Top flange ISO	Shaft K x h	Weight (kg)
A954523	25	125	115	76	25	153	18	85	14	4	F04	□11 x 13,5	3,85
A954524	32	130	140	92	31	237	18	100	18	4	F04	□14 x 18	5,60
A954525	40	140	150	97	39	276	18	110	18	4	F05	□14 x 18	6,75
A954526	50	150	165	105	49	276	20	125	18	4	F05	□14 x 18	8,90
A954527	65	170	185	124	63	340	18	145	18	4	F07	□17 x 23	14,00
A954528	80	180	200	133	76	340	20	160	18	8	F07	□17 x 23	17,65
A954529	100	190	220	153	100	340	20	180	18	8	F07	□17 x 23	21,80
A954530	125	200	250	183	125	541	22	210	18	8	F10	□22 x 27	29,70
A954533	125	325*	250	183	125	541	22	210	18	8	F10	□22 x 27	34,60
A954531	150	210	285	203	142	541	22	240	22	8	F10	□22 x 27	38,55
A954534	150	350*	285	203	142	541	22	240	22	8	F10	□22 x 27	45,70
A954532	200	400*	340	316	200	1000	24	295	22	12	F12	□27 x 31	85,65

Notes

DN25 and DN32 are with inox full ball.

Article numbers for DN25–DN50 are the same for PN16 and PN40 and are always declared as PN40.

Face to face dimensions conform to DIN3202 F4.

*Face to face dimensions conform to DIN3202 F5.

Materials

1	Body	Ductile Iron – EN-GJS-400-15 (GGG40)
2	Ball	Stainless Steel – X5CrNi18-10 (A304)
3	Stem	Stainless Steel – X30Cr13 (A420)
4	Seats	PTFE
5	O-Ring	EPDM
6	Handle	Carbon steel (Galvanized) – S235JR (St 37-2)

Working temperature -20 °C/+150 °C

KPC DN ... PN16 DP EX PX - ISO

PN16

Art. nr.	DN	A	ØB	C	ØD	G	b	ØDk	Ød	Nr.	Top flange ISO	Shaft K x h	Weight (kg)
A954543	25	125	115	76	25	153	18	85	14	4	F04	□11 x 13,5	3,85
A954544	32	130	140	92	31	237	18	100	18	4	F04	□14 x 18	5,60
A954545	40	140	150	97	39	276	18	110	18	4	F05	□14 x 18	6,75
A954546	50	150	165	105	49	276	20	125	18	4	F05	□14 x 18	8,90
A954547	65	170	185	124	63	340	18	145	18	4	F07	□17 x 23	14,00
A954548	80	180	200	133	76	340	20	160	18	8	F07	□17 x 23	17,65
A954549	100	190	220	153	100	340	20	180	18	8	F07	□17 x 23	21,80
A954550	125	200	250	183	125	541	22	210	18	8	F10	□22 x 27	29,70
A954553	125	325*	250	183	125	541	22	210	18	8	F10	□22 x 27	34,60
A954551	150	210	285	203	142	541	22	240	22	8	F10	□22 x 27	38,55
A954554	150	350*	285	203	142	541	22	240	22	8	F10	□22 x 27	45,70
A954552	200	400*	340	316	200	1000	24	295	22	12	F12	□27 x 31	85,65

Notes

DN25 and DN32 are with inox full ball.

Article numbers for DN25–DN50 are the same for PN16 and PN40 and are always declared as PN40.

Face to face dimensions conform to DIN3202 F4.

*Face to face dimensions conform to DIN3202 F5.

Materials

1	Body	Ductile Iron – EN-GJS-400-15 (GGG40)
2	Ball	Stainless Steel – X5CrNi18-10 (A304)
3	Stem	Stainless Steel – X30Cr13 (A420)
4	Seats	PTFE
5	O-Ring	PTFE + EPDM
6	Handle	Carbon steel (Galvanized) – S235JR (St 37-2)

Working temperature -20 °C/+200 °C

KPC DN ... PN6 DP PX PX - ISO

PN6

Art. nr.	DN	A	ØB	C	ØD	G	b	ØDk	Ød/M**	Nr.	Top flange ISO	Shaft K x h	Weight (kg)
A954363	25	125	100	76	25	153	18	75	11/M10	4	F04	□11 x 13,5	3,85
A954364	32	130	120	92	31	237	18	90	14/M12	4	F04	□14 x 18	5,60
A954365	40	140	130	97	39	276	18	100	14/M12	4	F05	□14 x 18	6,75
A954366	50	150	140	105	49	276	20	110	14/M12	4	F05	□14 x 18	8,90
A954367	65	170	160	124	63	340	18	130	14/M12	4	F07	□17 x 23	14,00
A954368	80	180	190	133	76	340	20	150	18/M16	4	F07	□17 x 23	17,65
A954369	100	190	210	153	100	340	20	170	18/M16	4	F07	□17 x 23	21,80
A954370	125	200	240	183	125	541	22	200	M16	8	F10	□22 x 27	29,70
A954371	150	210	265	203	150	541	22	225	M16	8	F10	□22 x 27	38,55

Notes

**M – thread

KPC DN ... PN16 DP PX PX - ISO

PN16

Art. nr.	DN	A	ØB	C	ØD	G	b	ØDk	Ød	Nr.	Top flange ISO	Shaft K x h	Weight (kg)
A954563	25	125	115	76	25	153	18	85	14	4	F04	□11 x 13,5	3,85
A954564	32	130	140	92	31	237	18	100	18	4	F04	□14 x 18	5,60
A954565	40	140	150	97	39	276	18	110	18	4	F05	□14 x 18	6,75
A954566	50	150	165	105	49	276	20	125	18	4	F05	□14 x 18	8,90
A954567	65	170	185	124	63	340	18	145	18	4	F07	□17 x 23	14,00
A954568	80	180	200	133	76	340	20	160	18	8	F07	□17 x 23	17,65
A954569	100	190	220	153	100	340	20	180	18	8	F07	□17 x 23	21,80
A954570	125	200	250	183	125	541	22	210	18	8	F10	□22 x 27	29,70
A954573	125	325*	250	183	125	541	22	210	18	8	F10	□22 x 27	34,60
A954571	150	210	285	203	142	541	22	240	22	8	F10	□22 x 27	38,55
A954574	150	350*	285	203	142	541	22	240	22	8	F10	□22 x 27	45,70
A954572	200	400*	340	316	200	1000	24	295	22	12	F12	□27 x 31	85,65

Notes

DN25 and DN32 are with inox full ball.

Article numbers for DN25–DN50 are the same for PN16 and PN40 and are always declared as PN40.

Face to face dimensions conform to DIN3202 F4.

*Face to face dimensions conform to DIN3202 F5.