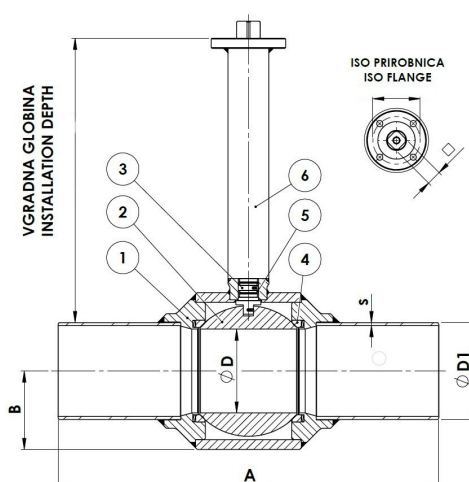


KPV-G IZ OGLJIKOVEGA JEKLA, PODZEMNA VGRADNJA, PGO F... / KPV-G CARBON STEEL, UNDERGROUND, PGO F...



// Polni pretok / Full bore



Materiali / Materials

1	Ohišje Body	Ogljikovo jeklo – A105, P235TR2 Carbon Steel – A105, P235TR2
2	Krogla Ball	Nerjavno jeklo - 1,4301 (X5CrNi18-10) AISI 304 Stainless steel - 1,4301 (X5CrNi18-10) AISI 304
3	Vreteno Stem	Nerjavno jeklo – 1.4028 (X30Cr13) AISI 420 Stainless Steel – 1.4028(X30Cr13) AISI 420
4	Tesnilo krogle Ball seats	Teflon – PTFE
5	O-Obroč O-Ring	Viton (+60 °C) - FKM
6	Podzemni nastavak Stem extension	Ogljikovo jeklo – P235TR1, A105 Carbon steel – P235TR1, A105

Navor / Torque

DN	Maks. navor Max torque P = 16 bar T = 20°C	Maks. navor Max torque P = 40 bar T = 20°C	Priporočljivi navor za pogon Recommendable torque for actuator
	[Nm]	[Nm]	[Nm]
25	15	20	30
32	20	30	45
40	25	40	60
50	35	55	80
65	45	80	120
80	60	100	150
100	90	150	200
125	180	350	450
150	250	500	700
200	400	700	1000
250	500	700	1200
300	600	800	1200

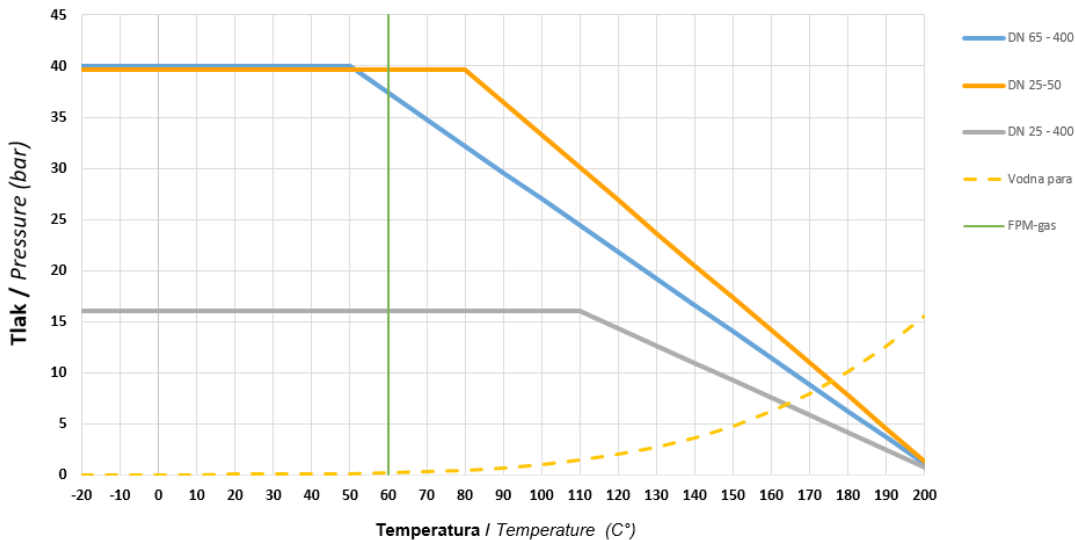
Opombe: Navori so bili izmerjeni s čisto vodo pri sobni temperaturi na ventilih s PTFE tesnili. Navor se lahko poveča pri ventilih, ki imajo tesnila iz drugačnih materialov, pri merjenju z različnimi tekočinami, višjimi temperaturami, posebnimi obratovalnimi pogoji in/ali v primeru, da je ventil dlje časa pod diferenčnim tlakom, ne da bi obratoval.

Remarks: The torques were measured on valves supplied with virgin PTFE seats, with clean water at room temperature. For valves with other seat material, different fluids, higher temperatures, specific operating conditions and/or in case the valve is kept for a long time under differential pressure without being operated, the torque can increase.

// Delovna temperatura / Working temperature: -20 °C/+60 °C

(Za temperature nižje od -20 °C kontaktirajte proizvajalca /
For temperature below -20 °C please contact manufacturer)

Diagram tlak I temperatura / Pressure I temperature chart



Tesnila vreteno, ohišje / Stem, body seals

FPM-gas (Max 60°C)

KPV-G DN ... PN40 DU VX PX PGO F..


PN40

Art.	DN	F.	A	B	ØD	ØD1	s	Teža / weight [kg]
A957503	25	F05	270	33	25	33,7	2,6	9,00
A957504	32	F05	270	35	32	42,4	2,6	10,50
A957505	40	F05	270	41	40	48,3	2,6	12,00
A957506	50	F05	300	50	50	60,3	2,9	17,00
A957507	65	F07	360	65	63,5	76,1	2,9	22,50
A957508	80	F07	390	75	78	88,9	3,2	27,50
A957509	100	F07	450	93	99	114,3	3,6	42,00
A957510	125	F12	525	115	124	139,7	4,0	71,00
A957511	150	F12	600	135	149	168,3	4,5	100,00
A957512	200	F12	600	176	200	219,1	6,3	161,00
A957513	250/200*	F12	730	176	200	273,0	7,1	165,00

KPV-G DN ... PN40 DU VX PX PG1 F..


PN40

Art.	DN	F.	A	B	ØD	ØD1	s	Teža / weight [kg]
A957514	250	F14	730	209,5	250	273,0	8,8	263,00
A957515	300	F14	850	254	300	323,9	8,8	393,00

Uležajena krogla / Trunnion mounted ball

Opombe

Vgradna globina je 1 m ali po naročilu.
DN50 do DN300 z vzmetenimi tesnili.
Antistatična izvedba in požarno tesnilo.
DN200–DN300 z ročnim polžnim gonilom.
DN250 in DN300 – podzemni nastavki izvedba PG1
*DN250/200 – reduciran pretok.
Nadgradnje na strani 89 - 95.

Notes

Installation depth is 1 m or as per request.
DN50 to DN300 with spring loaded washers.
Antistatic and fire safe design.
DN200–DN300 are with manual gearbox.
DN250–DN300 underground extension – construction PG1.
*DN250/200 – reduced bore.
Upgrades on pages 89 - 95.