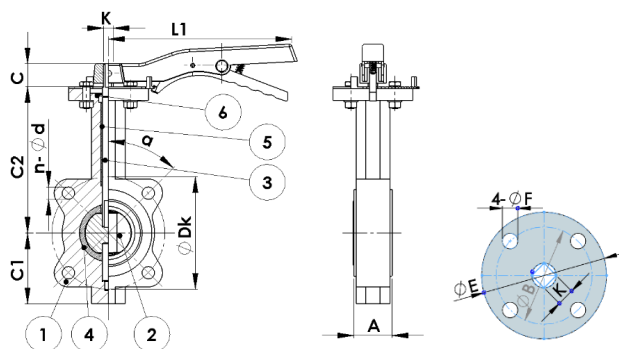


# ZAPORNA LOPUTA Z ROČICO, NAVOJNA UŠESA, TIP: LZN DI/SS / LUGGED BUTTERFLY VALVE, TYPE: LZN DI/SS



// Delovna temperatura / Working temperature: 0 °C /+120 °C

## Materiali / Materials

1	Ohišje Body	Nodularna litina – EN-GJS-500-7 (GGG50) – Epoksi barvan - RAL 5015 Ductile Iron – EN-GJS-500-7 (GGG50) – Epoxy Powder Coated – RAL 5015	4	Tesnilo Sealing	EPDM
2	Disk Disc	Nerjavno jeklo –GX5CrNiMo19-11-2 (A316) Stainless Steel – GX5CrNiMo19-11-2 (A316)	5	Puša Bushing	PTFE
3	Vreteno Stem	Nerjavno jeklo – X12CrS13 (A416) Stainless Steel – X12CrS13 (A416)	6	O-obroč O-ring	EPDM

## LZN DI/SS

## PN16

Art.	DN	A	ØDk	C1	C2	C	n-Ød	L1	E	B	F	α	ISO zgornja prirobnica / Top flange	Nastavek / Shaft K	Teža / Weight [kg]
A028448	40	33	110	70	130	28	4-Ø16	208	90	70	10	45	F07	K11	3,1
A028450	50	43	125	80	150	28	4-Ø16	208	90	70	10	45	F07	K11	3,8
A028443	65	46	145	92	164	28	4-Ø16	208	90	70	10	45	F07	K11	4,2
A028444	80	46	160	95	170	28	8-Ø16	208	90	70	10	45/22,5	F07	K11	4,7
A028442	100	52	180	114	186	28	8-Ø16	267	90	70	10	22,5	F07	K11	9,0
A028451	125	56	210	127	201	28	8-Ø16	267	90	70	10	22,5	F07	K14	10,9
A029255	150	56	240	139	214	28	8-Ø20	267	90	70	10	22,5	F07	K14	14,2
A029254	200	60	295	175	244	36	12-Ø20	323	125	102	12	22,5/15	F10	K17	18,2
A042311	250	68	355	203	292	36	12-Ø24	323	125	102	12	15	F10	K22	31,0
A042312	300	78	410	242	337	36	12-Ø24	415	125	102	12	15	F10	K22	45,0

// Delovna temperatura / Working temperature: 0 °C /+80 °C

## Materiali / Materials

1	Ohišje Body	Nodularna litina – EN-GJS-500-7 (GGG50) – Epoksi barvan - RAL 5015 Ductile Iron – EN-GJS-500-7 (GGG50) – Epoxy Powder Coated – RAL 5015	4	Tesnilo Sealing	NBR
2	Disk Disc	Nerjavno jeklo –GX5CrNiMo19-11-2 (A316) Stainless Steel – GX5CrNiMo19-11-2 (A316)	5	Puša Bushing	PTFE
3	Vreteno Stem	Nerjavno jeklo – X12CrS13 (A416) Stainless Steel – X12CrS13 (A416)	6	O-obroč O-ring	EPDM

## LZN DI/SS

## PN16

Art.	DN	A	ØDk	C1	C2	C	n-Ød	L1	E	B	F	α	ISO zgornja prirobnica / Top flange	Nastavek / Shaft K	Teža / Weight [kg]
A046070	40	33	110	70	130	28	4-Ø16	208	90	70	10	45	F07	K11	3,1
A042324	50	43	125	80	150	28	4-Ø16	208	90	70	10	45	F07	K11	3,8
A042325	65	46	145	92	164	28	4-Ø16	208	90	70	10	45	F07	K11	4,2
A042326	80	46	160	95	170	28	8-Ø16	208	90	70	10	45/22,5	F07	K11	4,7
A042327	100	52	180	114	186	28	8-Ø16	267	90	70	10	22,5	F07	K11	9,0
A042330	125	56	210	127	201	28	8-Ø16	267	90	70	10	22,5	F07	K14	10,9
A042331	150	56	240	139	214	28	8-Ø20	267	90	70	10	22,5	F07	K14	14,2
A042332	200	60	295	175	244	36	12-Ø20	323	125	102	12	22,5/15	F10	K17	18,2
A045533	250	68	355	203	292	36	12-Ø24	323	125	102	12	15	F10	K22	31,0
A045534	300	78	410	242	337	36	12-Ø24	415	125	102	12	15	F10	K22	45,0