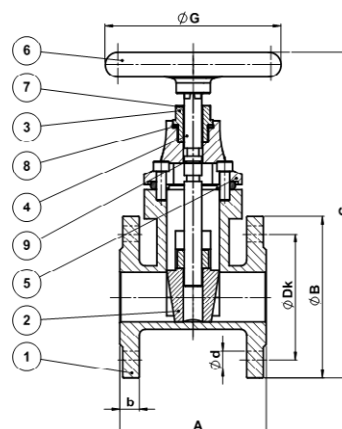


ZAPORNI ZASUN, MEHKO TESNENJE, RAVNO OHIŠJE, F4, NEDVIGAJOČE SE VRETENO / GATE VALVE, RESILIENT SEATED, FLAT BODY, F4, NON RISING STEM

// Delovna temperatura / Working temperature: 0 °C / +70 °C



Materiali / Materials

| | | | | | |
|---|----------------------------|--|---|------------------------------|--|
| 1 | Ohišje Body | Nodularna litina – EN-GJS-500 (GGG50) Ductile Iron – EN-GJS-500 (GGG50) | 6 | Ročni pogon Handwheel | Nodularna litina – EN-GJS-500 (GGG50) Ductile Iron – EN-GJS-500 (GGG50) |
| 2 | Klin Wedge | Nodularna litina – EN-GJS-500 z EPDM prevleko Ductile Iron – EN-GJS-500 with EPDM coating | 7 | Tesnilo vretena Dust ring | EPDM |
| 3 | Matica vretena Stem nut | Medenina Brass | 8 | Tesnilo Sealing | NBR |
| 4 | Vreteno Stem | Nerjavno jeklo – 2Cr13 (A420) Stainless Steel – 2Cr13 (A420) | 9 | O-obroč O-ring | NBR |
| 5 | Pokrov Bonnet | Nodularna litina – EN-GJS-500 (GGG50) Ductile Iron – EN-GJS-500 (GGG50) | | | |

PN10

| Art. | DN | A | ØB | ØDk | C | ØG | b | n-Ød | Teža / Weight [kg] |
|---------|-----|-----|-----|-----|-----|-----|------|-------|--------------------|
| A030782 | 40 | 140 | 150 | 110 | 310 | 160 | 19 | 4-19 | 10,0 |
| A012221 | 50 | 150 | 165 | 125 | 315 | 180 | 19 | 4-19 | 11,0 |
| A018900 | 65 | 170 | 185 | 145 | 355 | 180 | 19 | 4-19 | 14,0 |
| A012222 | 80 | 180 | 200 | 160 | 390 | 200 | 19 | 8-19 | 17,0 |
| A011867 | 80* | 180 | 200 | 160 | 390 | 200 | 19 | 4-19 | 17,0 |
| A012223 | 100 | 190 | 220 | 180 | 430 | 250 | 19 | 8-19 | 22,0 |
| A018901 | 125 | 200 | 250 | 210 | 490 | 280 | 19 | 8-19 | 30,0 |
| A012224 | 150 | 210 | 285 | 240 | 545 | 280 | 19 | 8-23 | 35,0 |
| A034755 | 200 | 230 | 340 | 295 | 665 | 340 | 20 | 8-23 | 60,0 |
| A043875 | 250 | 250 | 405 | 355 | 775 | 340 | 22 | 12-23 | 85,0 |
| A043876 | 300 | 270 | 460 | 400 | 895 | 400 | 24,5 | 12-23 | 120,0 |

PN16

| Art. | DN | A | ØB | ØDk | C | ØG | b | n-Ød | Teža / Weight [kg] |
|---------|-----|-----|-----|-----|-----|-----|------|-------|--------------------|
| A030782 | 40 | 140 | 150 | 110 | 310 | 160 | 19 | 4-19 | 10,0 |
| A012221 | 50 | 150 | 165 | 125 | 315 | 180 | 19 | 4-19 | 11,0 |
| A018900 | 65 | 170 | 185 | 145 | 355 | 180 | 19 | 4-19 | 14,0 |
| A012222 | 80 | 180 | 200 | 160 | 390 | 200 | 19 | 8-19 | 17,0 |
| A011867 | 80* | 180 | 200 | 160 | 390 | 200 | 19 | 4-19 | 17,0 |
| A012223 | 100 | 190 | 220 | 180 | 430 | 250 | 19 | 8-19 | 22,0 |
| A018901 | 125 | 200 | 250 | 210 | 490 | 280 | 19 | 8-19 | 30,0 |
| A012224 | 150 | 210 | 285 | 240 | 545 | 280 | 19 | 8-23 | 35,0 |
| A018902 | 200 | 230 | 340 | 295 | 665 | 340 | 20 | 12-23 | 60,0 |
| A018903 | 250 | 250 | 405 | 355 | 775 | 340 | 22 | 12-23 | 85,0 |
| A029124 | 300 | 270 | 460 | 410 | 895 | 400 | 24,5 | 12-23 | 120,0 |

Opombe

Vgradna dolžina ustreza standardu EN558-1 serija 14 (DIN3202 F4).
Dimenzija prirobnice in vrtnanje ustreza standardu EN 1092-2.
Številke artiklov od DN40–DN150 so enake za PN10 in PN16 in so vedno navedene kot PN16. *Na voljo tudi s prirobnico na 4 luknje.

Notes

Face to face dimensions according to EN558-1 Series 14 (DIN3202 F4).
Flange dimensions and drilling according to EN 1092-2.
Article numbers for DN40–DN150 are the same for PN10 and PN16 and are always declared as PN16. *Special: available with 4 holes on flanges.