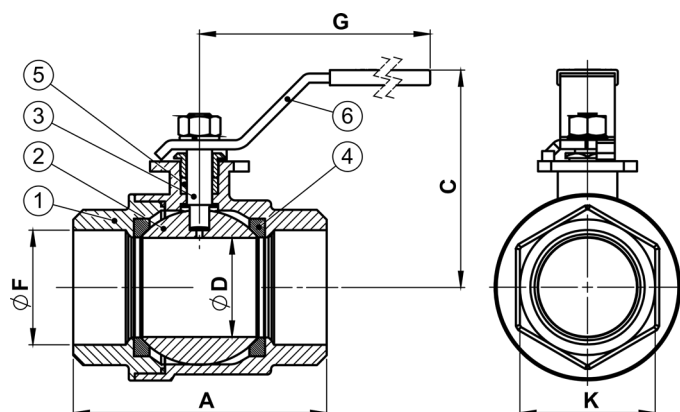
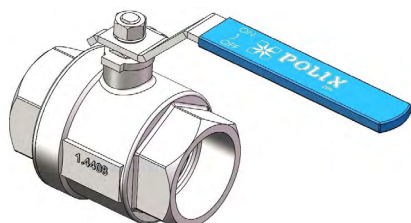


KPI IZ NERJAVNEGA JEKLA, NAVOJNA / KPI STAINLESS STEEL, THREADED

// Polni pretok / Full bore



Materiali / Materials

1	Ohišje Body	Nerjavno jeklo – 1.4408 (GX5CrNiMo 19-11-2) A316 Stainless Steel – 1.4408 (GX5CrNiMo 19-11-2) A316
2	Krogla Ball	Nerjavno jeklo – 1.4408 (GX5CrNiMo 19-11-2) A316 Stainless Steel – 1.4408 (GX5CrNiMo 19-11-2) A316
3	Vreteno Stem	Nerjavno jeklo – 1.4408 (GX5CrNiMo 19-11-2) A316 Stainless Steel – 1.4408 (GX5CrNiMo 19-11-2) A316
4	Tesnilo krogle Ball seats	PTFE
5	Tesnilo vretena Stem seal	PTFE
6	Ročica Handle	Nerjavno jeklo – 1.4301 (X5CrNi 18 10) A304 Stainless Steel – 1.4301 (X5CrNi 18 10) A304

Navor / Torque

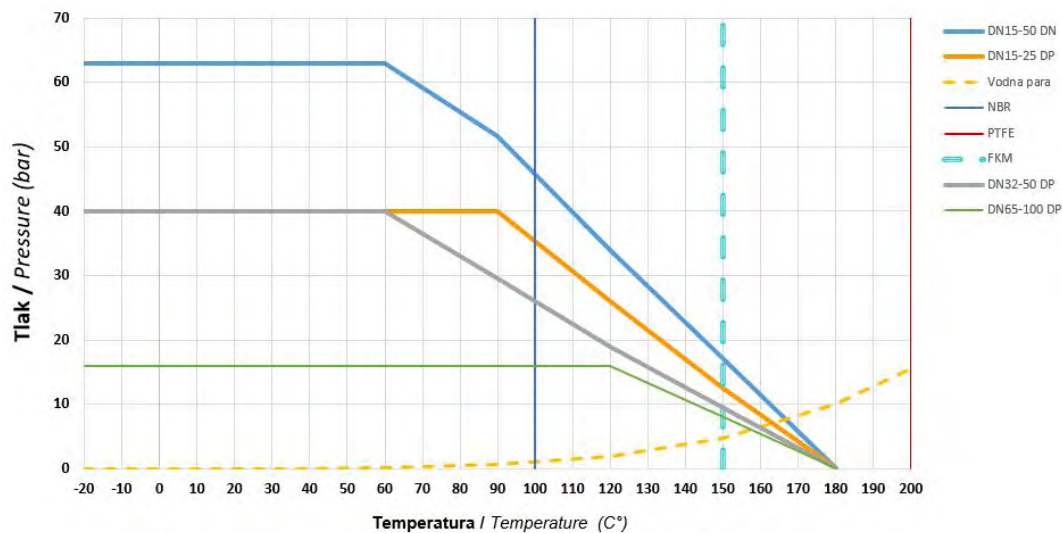
DN	Maks. navor Max torque P = 16 bar T = 20°C	Maks. navor Max torque P = 40 bar T = 20°C	Priporočljivi navor za pogon Recommendable torque for actuator
	[Nm]	[Nm]	[Nm]
15	6	10	20
20	8	15	20
25	15	20	30
32	20	30	45
40	25	40	60
50	35	55	80

Opombe: Navori so bili izmerjeni s čisto vodo pri sobni temperaturi na ventilih s PTFE tesnili. Navor se lahko poveča pri ventilih, ki imajo tesnila iz drugačnih materialov, pri merjenju z različnimi tekočinami, višjimi temperaturami, posebnimi obratovalnimi pogoji in/ali v primeru, da je ventil dlje časa pod diferenčnim tlakom, ne da bi obratoval.

Remarks: The torques were measured on valves supplied with virgin PTFE seats, with clean water at room temperature. For valves with other seat materials, different fluids, higher temperatures, specific operating conditions and/or in case the valve is kept for a long time under differential pressure without being operated, the torque can increase.

// Delovna temperatura / Working temperature: -29 °C/+180 °C

Diagram tlak I temperatura / Pressure I temperature chart



Tesnila na vretenu, ohišju | Stem and body seals



KPI DN ... PN63 DN PX PX

PN63

Art.	DN	A	ØF	G	ØD	C	Teža / weight [kg]
A958355	15	75	½"	103	15	53	0,30
A958356	20	80	¾"	126	20	65	0,48
A958357	25	90	1"	144	25	77	0,77
A958358	32	110	1 ¼"	144	32	81,5	1,14
A958359	40	120	1 ½"	189	38	94,5	1,85
A958360	50	140	2"	189	50	102	2,99
A958380	65	184	2 ½"	224	65	117	5,10
A958381	80	203	3"	233	80	132	8,00

Opombe

Vgradna dolžina ustreza standardu DIN3202-M3.

Notes

Face to face dimensions according with the DIN3202-M3.