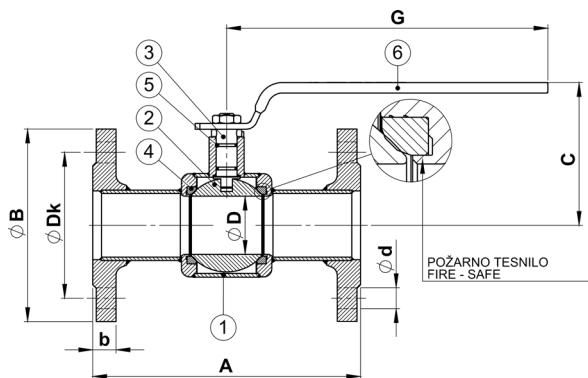
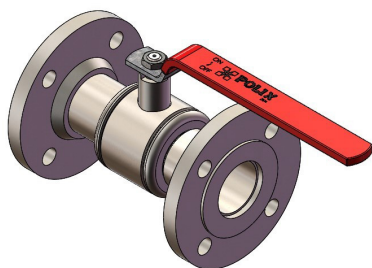


KPT PRIROBNIČNA IZ OGLJIKOVEGA JEKLA, POLNI PRETOK / KPT FLANGED CARBON STEEL, FULL BORE

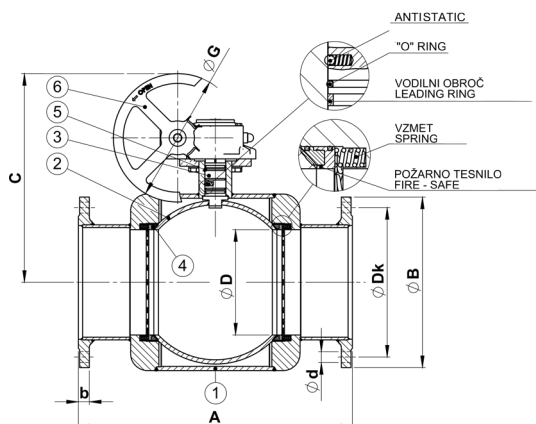
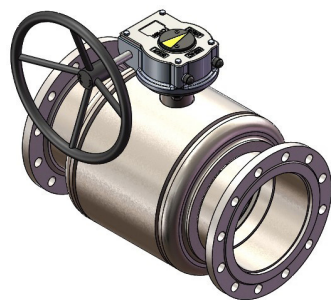


// Polni pretok / Full bore

DN15-DN200



DN250



Materiali / Materials

1	Ohišje Body	Ogljikovo jeklo – A105, P235TR2 Carbon Steel – A105, P235TR2
2	Krogla Ball	Nerjavno jeklo - 1,4301 (X5CrNi18-10) AISI 304 Stainless steel - 1,4301 (X5CrNi18-10) AISI 304
3	Vreteno Stem	Nerjavno jeklo – 1.4028 (X30Cr13) AISI 420 Stainless Steel – 1.4028(X30Cr13) AISI 420
4	Tesnilo krogle Ball seats	PTFE*
5	O-Obroč O-Ring	PTFE + Viton
6	Ročica Handle	Ogljikovo jeklo (cinkano) – S235JR (St 37-2) Carbon steel (galvanized) – S235JR (St 37-2)

*DN15, DN20, DN150, DN200, DN250 imajo tesnilo s 15% grafitom.

*DN15, DN20, DN150, DN200, DN250 have a 15% graphite seal.

Navor / Torque

DN	Maks. navor Max torque P = 16 bar T = 20°C	Maks. navor Max torque P = 40 bar T = 20°C	Prilagodljivi navor za pogon Recommendable torque for actuator
	[Nm]	[Nm]	[Nm]
15	6	10	20
20	8	15	20
25	15	20	30
32	20	30	45
40	25	40	60
50	35	55	80
65	45	80	120
80	60	100	150
100	90	150	200
125	180	350	450
150	250	500	700
200	400	700	1000
250	500	700	1200

Opomba: Navori so bili izmerjeni s čisto vodo pri sobni temperaturi na ventilih s PTFE tesnili. Navor se lahko poveča pri ventilih, ki imajo tesnila iz drugačnih materialov, pri merjenju z različnimi tekočinami, višjimi temperaturami, posebnimi obratovalnimi pogoji in/ali v primeru, da je ventil dlje časa pod diferencialnim tlakom, ne da bi obratoval.

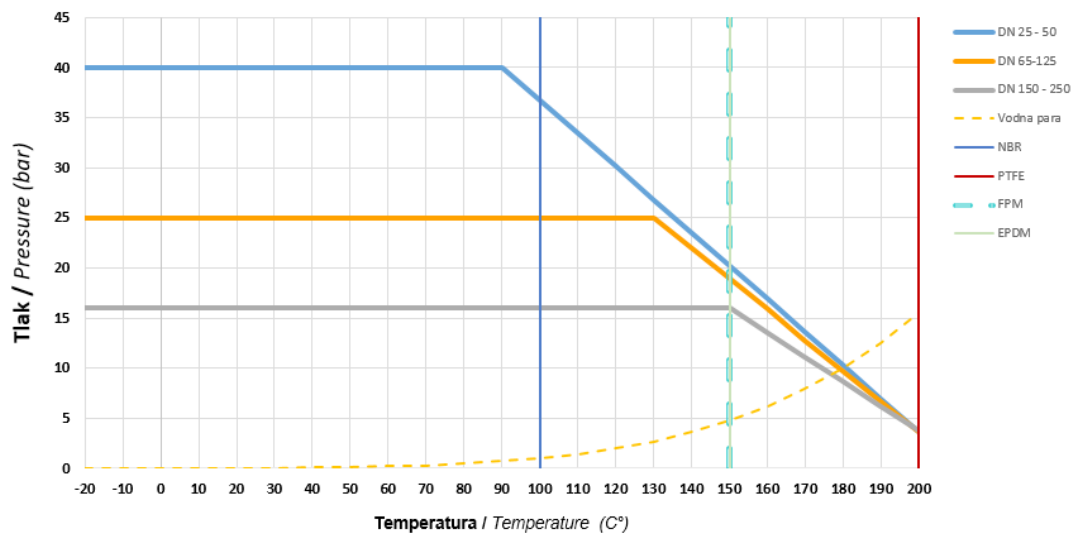
Remarks: The torques were measured on valves supplied with virgin PTFE seats, with clean water at room temperature. For valves with other seat material, different fluids, higher temperatures, specific operating conditions and/or in case the valve is kept for a long time under differential pressure without being operated, the torque can increase.

// Delovna temperatura / Working temperature: -20 °C/+200 °C

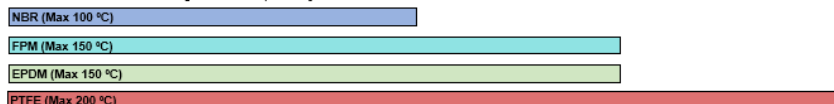
(Za temperature nižje od -20 °C kontaktirajte proizvajalca /

For temperature below -20 °C please contact manufacturer)

Diagram tlak I temperatura / Pressure I temperature chart



Tesnila vreteno, ohišje / Stem, body seals



KPT DN ... PN16 DP PX PX

PN16

Art.	DN	A	ØB	C	ØD	G	b	ØDk	Ød	Št. / Nr.	Teža / weight [kg]
A958801	15	130	95	71,6	15,9	153	14	65	14	4	1,76
A958802	20	150	105	82,6	20	153	16	75	14	4	2,51
A958803	25	160	115	90,3	25	153	16	85	14	4	3,12
A958804	32	180	140	108,3	31	237	16	100	18	4	5,07
A958805	40	200	150	116	40	276	16	110	18	4	6,81
A958806	50	230	165	122,5	50	276	18	125	18	4	8,22
A958807	65	290	185	148,6	63,5	340	18	145	18	4	14,95
A958808	80	310	200	160,6	78	340	20	160	18	8	21,72
A958809	100	350	220	174,6	99	340	20	180	18	8	27,13
A958810	125	400	250	219	125	545	22	210	18	8	37,85
A958211	150	450	285	246	150	545	22	240	22	8	59,20
A958212	200	550	340	348	200	1000	24	295	22	12	95,13
A958213	250	650	405	495	250	Ø305	26	355	26	12	189,50

KPT DN ... PN40 DP PX PX

PN40

Art.	DN	A	ØB	C	ØD	G	b	ØDk	Ød	Št. / Nr.	Teža / weight [kg]
A958201	15	130	95	71,6	15,9	153	16	65	14	4	1,96
A958202	20	150	105	82,6	20	153	18	75	14	4	2,73
A958203	25	160	115	90,3	25	153	18	85	14	4	3,49
A958204	32	180	140	108,3	31	237	18	100	18	4	5,62
A958205	40	200	150	116	40	276	18	110	18	4	7,23
A958206	50	230	165	122,5	50	276	20	125	18	4	8,96
A958207	65	290	185	148,6	63,5	340	22	145	18	8	16,45
A958208	80	310	200	160,6	78	340	24	160	18	8	23,42
A958209	100	350	235	174,6	99	340	24	190	22	8	29,91
A958210	125	400	270	219	125	545	26	220	26	8	40,24
A958811	150	450	300	246	150	545	28	250	26	8	52,43
A958812	200	550	375	348	200	1000	34	320	30	12	98,17
A958813	250	650	450	495	250	Ø305	38	385	33	12	219,90

Prirobnice 40 bar - maks. dovoljen tlak / Flanges 40 bar - max. allowable pressure: DN65-DN125 = 25 bar, DN150-DN250 = 16 bar

Opombe

Vgradna dolžina ustreza standardu EN558-1 Basic series 28.
DN250: vzmetena tesnila, antistatična izvedba, ročni polžni pogon.
Požarno tesnilo. Nadgradnje na strani 89 - 95.

Notes

Face to face dimensions conform to EN558-1 Basic series 28.
DN250: spring loaded washers, antistatic design, manual gearbox.
Fire safe design. Upgrades on pages 89 - 95.