

INSTALLATION OPERATION AND MAINTENANCE INSTRUCTIONS CHECK VALVE – WAFER SPRING – STAINLESS STEEL

Working temperature 0 °C / 300 °C

Suitable for installation between flanges drilled according to PN10, PN16, PN25 and PN40.

WARNING: NEVER PUT HANDS OR ANY OTHER OBJECT IN THE VALVE - SERIOUS INJURIES WILL OCCUR AND VALVE WILL BE DAMAGED.

PRE – INSTALLATION:

To minimize straining of valve body, make sure the mating flanges are: in line, flat, parallel and correct distance apart.

INSTALLATION:

Wafer spring check valves are designed for easy installation. The valve's wafer body slips between standard flanges and can be used in either vertical or horizontal operation. The arrow on the body must be pointing in the direction of intended flow.

Check that the distance between flanges matches the face-to-face dimension of the wafer valve. Before installing the valve, spread the flanges apart sufficiently using a suitable tool. Slide the wafer valve between the opened flanges and insert the flange bolts through the adjusting holes. Tighten the flange bolts hand-tight as the tool holding the flanges apart is removed. Make sure that the flanges remain correctly aligned, carefully tighten the bolts around the flange using the prescribed torque. Bolts should be tightened gradually in a star or crisscross pattern.

STORAGE, PROTECTION, OPERATION, DISASSEMBLY AND MAINTENANCE

STORAGE AND PROTECTION

CAUTION: IF THE VALVE IS TO BE STORED FOR A LONG PERIOD OF TIME BEFORE INSTALLATION IT SHOULD BE STORED IN A COOL, DRY AND CLEAN WAREHOUSE TO PREVENT DAMAGING EFFECTS.

Valves stored for a longer period should be maintained as follows:

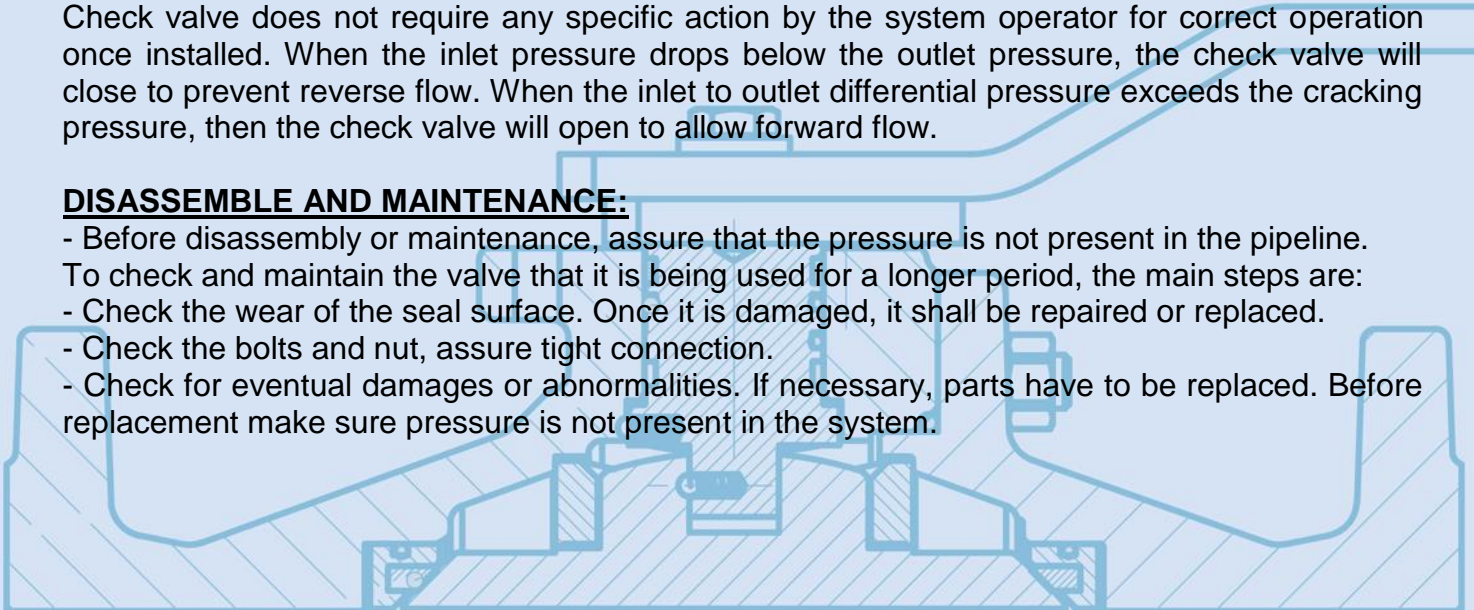
- Clean the dirt and grease machined surfaces with some antirust oil at least every 3 months.

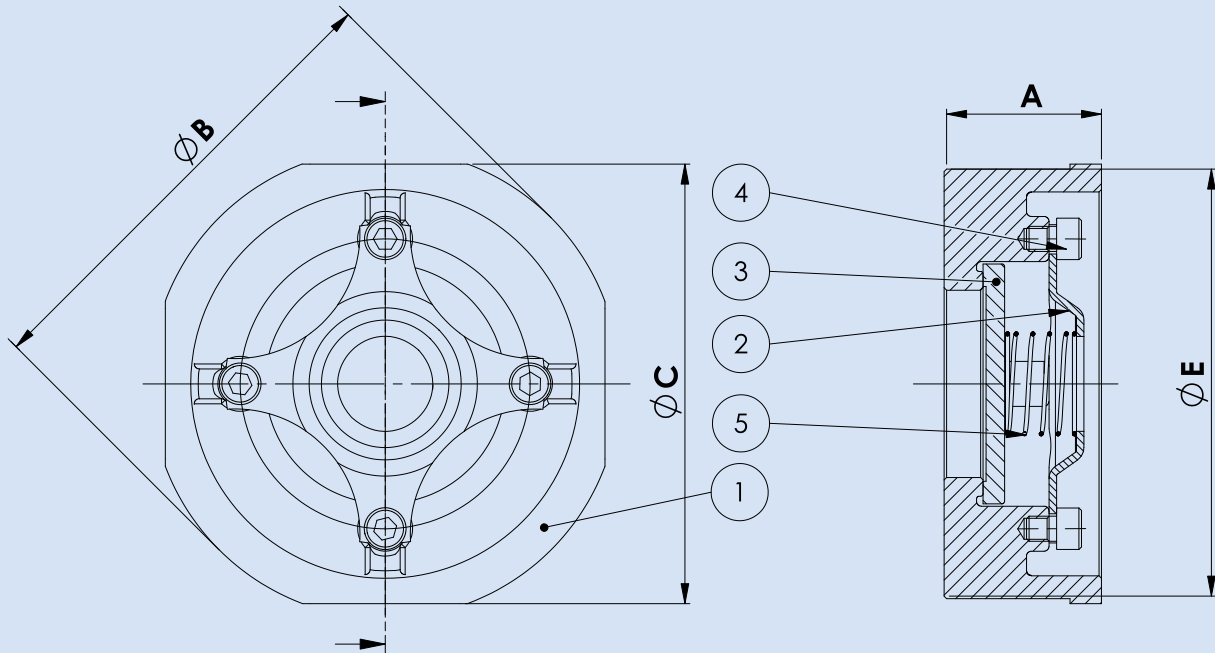
OPERATION:

Check valve does not require any specific action by the system operator for correct operation once installed. When the inlet pressure drops below the outlet pressure, the check valve will close to prevent reverse flow. When the inlet to outlet differential pressure exceeds the cracking pressure, then the check valve will open to allow forward flow.

DISASSEMBLE AND MAINTENANCE:

- Before disassembly or maintenance, assure that the pressure is not present in the pipeline. To check and maintain the valve that it is being used for a longer period, the main steps are:
- Check the wear of the seal surface. Once it is damaged, it shall be repaired or replaced.
- Check the bolts and nut, assure tight connection.
- Check for eventual damages or abnormalities. If necessary, parts have to be replaced. Before replacement make sure pressure is not present in the system.





1	Body	Stainless Steel – A316
2	Spring cover	Stainless Steel – A316
3	Spring	Stainless Steel – A316
4	Bolt	Stainless Steel – A316
5	Disc	Stainless Steel – A316

